

NETWORK CAMERA

HC Series - HC-IG421FL

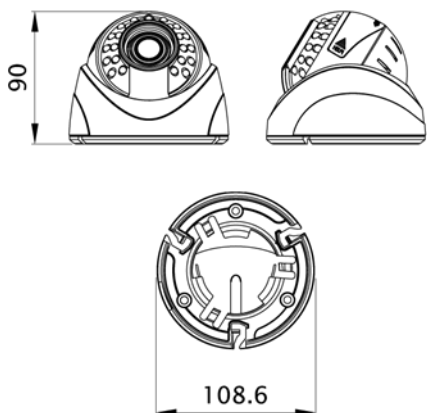
Indoor Gimbal Dome Camera



Features

- 2.1Mega Pixel 1/2.9" Progressive Scan
- 3.6mm MEGAPIXEL LENS (ICR)
- IR LED 30EA
- H.264 Main Profile Dual-Stream
- Full-HD Real-Time(30fps) transmission
- Motion detection Pre & Post Alarm Video Buffering.
- Image transmission to FTP or e-mail on event trigger
- ezP2P™ Cloud Service without any complicated network setting
- ezLink™ for Instant Live Monitoring with Mac Address Input
- Remote Monitoring by Remote S/W(CMS) & Smart Phone
- Simultaneous connection of Max.10 users
- PoE support
- ONVIF support
- UPnP support

Dimension



Unit : mm (Inch)

Camera Specification

Camera		
Image Sensor	1/2.9" Progressive CMOS	
Max. Resolution	1,920 x 1,080	
Min. Illumination	Color : 1.0 Lux, 0.002 Lux (Sense-up) BW : 0.5 Lux, 0.001 Lux (Sense-up)	
ICR for Day & Night	Yes	
IR LED	30EA	
Night Vision Distance	20 meters	
MENU Control	Through Web	
ID & Camera Title	On / Off	
Day & Night	Auto / Color / BW / EXT_L / EXT-H	
Backlight	Off / Digital WDR / BLC / HLC	
3D-DNR	On / Off (0 ~ 100 Steps)	
LENS	Fixed Lens 3.6mm(ICR TYPE)	
Motion Detection Area	16 x 15 Blocks (On / Off)	
Privacy Masking Area	48 x 26 Blocks (On / Off)	
Digital Zoom	x1~x4 (On / Off)	
Electronic Shutter	Auto / Manual (1/25(1/30) ~ 1/30,000) / FLK	
Sense-up	Off / x2 ~ x8	
AGC	On / Off (0 ~ 100 Steps)	
White Balance	Auto / Manual	
Flip/Mirror	Flip On / Off, Mirror On / Off	
DeFog	On / Off	
Power / Exterior	Input Voltage	DC12V/1.5A, PoE-802.3 af
	Power Consumption	5.5W
	LED	Power, Network
	Reset Button	Factory default
Working Environment	-10~40 °C / Less than 90% RH	

Network Specification

Network		
Video	Compression	H.264 Main Profile
	Effective Pixels	1920(H)x1080(V)
	Frame	30 fps
	Stream	Dual-Stream (H.264, M-JPEG)
Network	Protocol	TCP/IP, HTTP, RTP/RTSP, UDP, DHCP, FTP, SMTP, NTP, ARP, ICMP, DDNS, ONVIF(v2.2)
	Ethernet	RJ-45 (10/100 Base-T)
	Bitrate Control	VBR, CBR
	Security	Multi-Level Password, IP & Mac Filtering
	uPNP	support
Special Function	PUSH Video Call	PUSH Video to iPhone & Android Phone
	Intensive Record	Yes
Event	Motion Event	15 X 16 Block motion detection
	Alarm Event	FTP, E-mail, FTP, Mobile
Software		CMS, SMS, IP Installer

(*) Specification is subject to change without prior notice.

ezP2P™ Cloud Service (www.ezp2p.com)

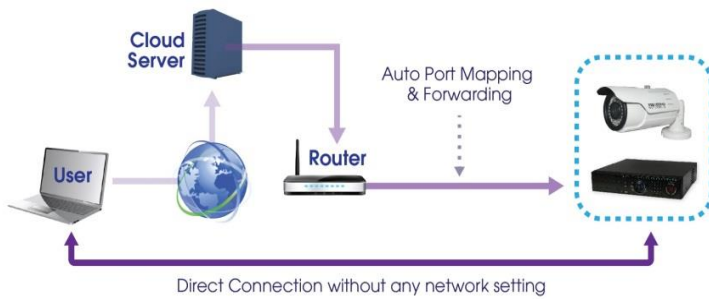
ezP2P™ Cloud Service is a cloud-based video management system without any complicated network setting. Just login to ezP2P™ Cloud Server (www.ezp2p.com) with your own account and enjoy thumbnail preview and instant live monitoring.



[Main Page]



[Preview]



ezLink™ with Mac Address

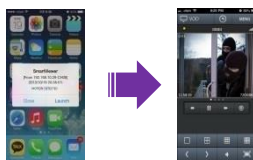
The easiest way to connect to the DVR just by Mac Address.



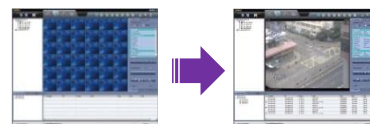
Typical PUSH Function

2 PUSH Functions below provides you with efficient monitoring and control of your DVR. It allows you to be free from constant attention to the event that may or may not happen.

PUSH Video Call to iPhone & Android Phone



PUSH Network Connection under Sensor Event



Integrated Network Solution

Guarantee unlimited scalability and seamless integration of all FOCUS products such as DVR, NVR & IP Camera over unique network.



[CMS]



[MobileViewerPro]